

Flusher disinfectors

for hospitals and nursing houses





Flusher disinfectors

for hospitals and nursing houses

Steelco continues to increase its international reputation through its strategy of investment in product development. This range of **Flusher Disinfectors** offers to the customers a large choice of machines with consistently tested and efficient washing performance.

The Steelco range of **flusher disinfectors** has guaranteed for many years unrivalled hygiene and cleaning standards, it handles and disinfects all reusable items such as bedpans, urine bottles and buckets. With Steelco, both the patients and the nursing staff are assured to be hygienically secure!



> **BP 100 HSER series**
compact freestanding
or wall installation

> **BP 100 HE series**
freestanding
or wall installation

Hygiene within hospitals, nursing homes,
geriatric wards, rehabilitation centres:

Automatic Washer
Disinfectors



FLY CUTTER
drainage bags thermal
disinfectors



Infection control

Thermal disinfection is the recommended and most efficient method for the disinfection of all reusable items such as bedpans, urine bottles suction bottles and buckets. Flusher disinfectors are a fundamental aid for the control of hospital infections and can significantly improve staff work conditions.



> **BP 100 series**
freestanding
or underbench installation

> **BP 100 H series**
freestanding model

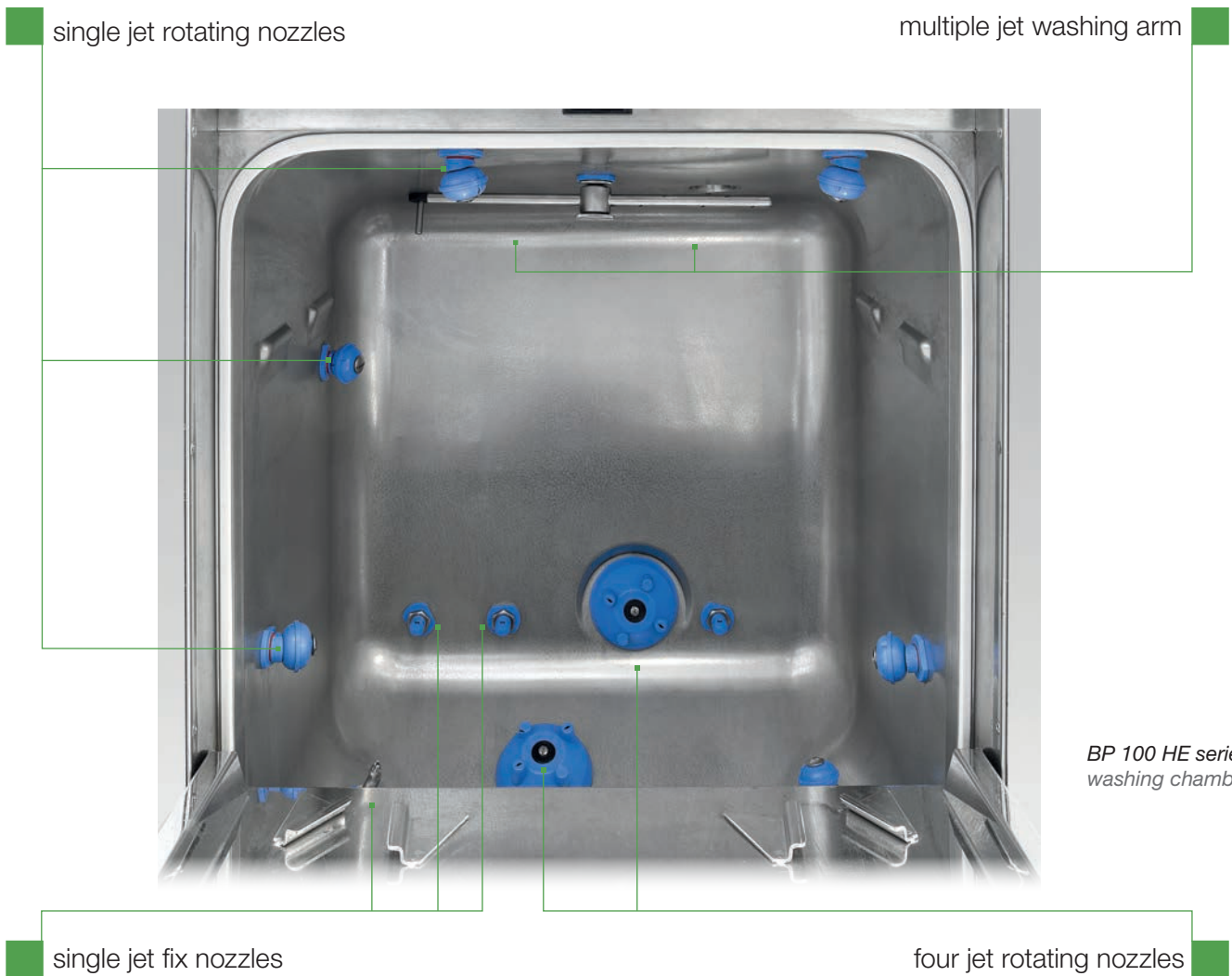
> **BP 100 HXL series**
high capacity model

> **BP 100 HLA**
full glass sliding up door

Standard compliant

Steelco Flusher Disinfectors are designed and constructed to comply with the latest European and UK guidelines on decontamination EN ISO 15883-1/3.

Steelco Flusher Disinfectors are classified CE Medical Device (Community rule 93/42/EEC).



A self disinfecting device

Efficient tested cleaning results achieved thanks to many fixed and rotating nozzles which provide optimum water distribution inside and outside the treated items. External and inner cabinet made of stainless steel AISI 304. To eliminate the risk of accumulation of dirt and bacteria growth, the internal part of the chamber is manufactured with rounded corners and the interior side of the door with smooth edges.

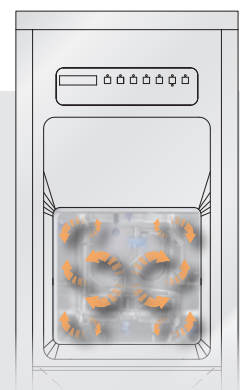
Steam is distributed inside the chamber through the washing circuits and nozzles to assure at every cycle a perfect disinfection of the treated items, of the chamber and of the hydraulic circuits.

Drying and cooling of treated items

Every Steelco bedpan washer disinfectant model can be equipped with the high efficiency drying/cooling fan system.

An option that allows all receptacles to be rapidly dried and cooled down. To do it in the most hygienic way, the air can be HEPA filtered (H14).

With this option the staff safety is improved when unloading the treated items at the end of the cycle and they can be immediately reused.



Steelcotronic Control System

Steelcotronic Control System, with auto-diagnostic checking that constantly monitors and displays current cycle status and alarms, allows to optimize the washing process and to personalize programs on board of the machine. Three washing and disinfection programs are factory set:

- **short** - for bedpans and urine bottles containing liquids only
 - **standard** - for bedpans or buckets containing solid residues
 - **intensive** - for suction bottles and whenever in blood presence
- three more programs are available to be set by the operator.

Steelco bedpan washers are equipped with a 3 digit LED or 32 digit LCD display control panel that shows, at every moment of the ongoing treatment, the indication of the treatment program, the working phase, the chamber temperature, A_0 value during disinfection phase until the reach of the cycle completion.

On the LED control panel, indications are displayed by abbreviations, on the LCD one, the status, alarms and descriptions are extended.

High safety and easy to use “soft touch” control system on glass panel with LCD colour display to visualize cycle status.

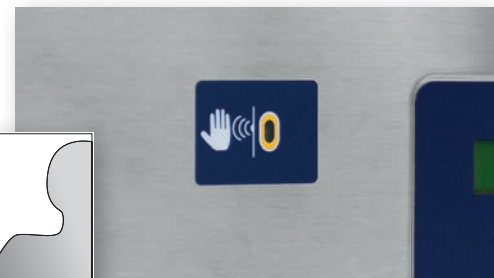


Automatic door opening

All Steelco bedpan washer disinfectors can be equipped with automations to guarantee the nursing staff to be hygienically secure.

Door opening and closing can be controlled by pedals or by an infrared sensor that totally avoids operator-machine physical contact.

Soiled goods are loaded at an ergonomic working height.



Safety first

Door chamber is locked during the whole cycle, door opening is possible only once disinfection is complete.



Safe chemical storage

Chemical tanks can be stored inside the lockable cabinet on the machine basement.

For the wall mounted versions the lockable chemical storage is placed on the upper part of the machine.

The underbench models can be equipped with dedicated side cabinets.





BP 100 HSER series

Compact bedpan washer disinfectors



BP 100 HSER

Free standing compact models

- Manual door opening and closing
- Automatic door opening, manual door closing
- Fully automatic door

Wall installation models

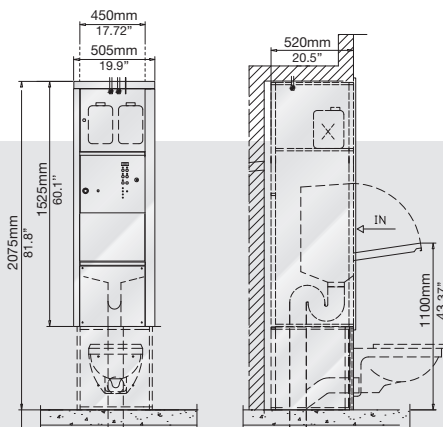
- Manual door opening and closing
- Fully automatic door

Capacity

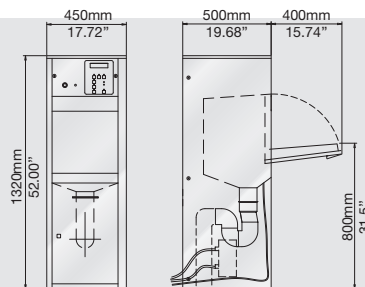
Simultaneous treatment of 1 urine bottle and 1 bedpan with lid or up to 2 urine bottles.*



Load examples



Wall installation



Free-standing

BP 100 HE series

Free-standing or wall installation model



BP 100 HE

Free-standing models

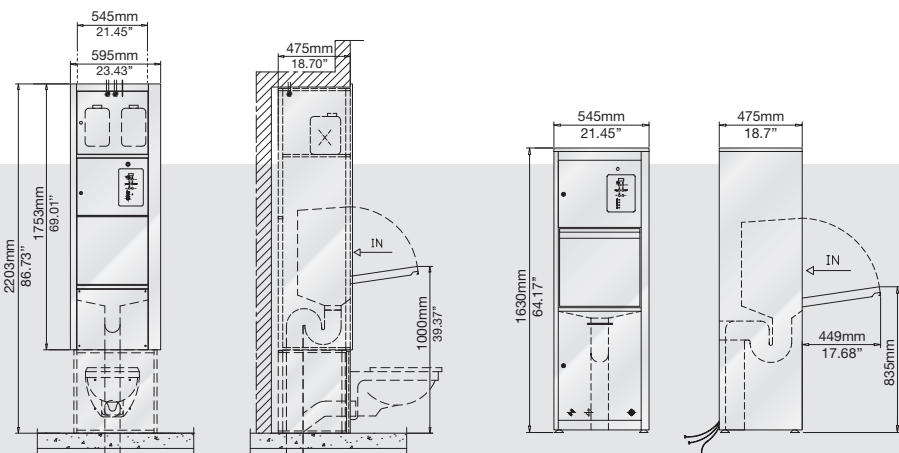
- Manual door opening and closing
- Automatic door opening, manual door closing
- Fully automatic door

Wall installation models

- Manual door opening and closing
- Fully automatic door

Capacity

Simultaneous treatment of 1 urine bottle and 1 bedpan with lid or up to 3 urine bottles.*



Wall installation

Free-standing

Load examples



* Capacity depends on the size and shapes of the items that have to be treated. Combinations of bottles and bedpans are possible, capacity may vary.



BP 100 series

Underbench or free-standing bedpan washer disinfectors



60
cm
23.62"

BP 100

Underbench
or free-standing models

- Manual door opening and closing
- Fully automatic door

Capacity

Simultaneous treatment of 1 urine bottle and 1 bedpan with lid or up to 4 urine bottles.*



BP 100 underbench bedpan washers can be integrated into counters with hinged door side compartment for easy storage of chemicals and/or accessories. Counters can also include a sink.



90
cm
35.43"

Load examples



Example of the most commonly accepted bed pans and urine bottles.

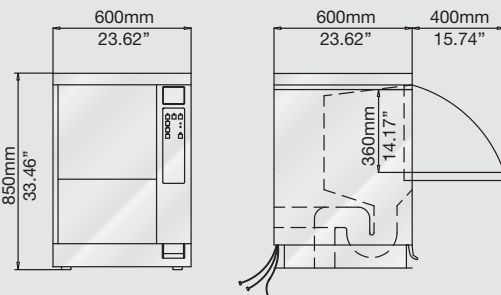
Complements

Steelco can provide a **complete range of accessories as emptiers and wall racks** for bedpans and urine bottles.

Emptiers are available in **manual or automatic version** providing automatic drain and water sink rinsing.



110
cm
43.30"



BP 100 H series

Free-standing bedpan washer disinfectors



55
cm
21.65"

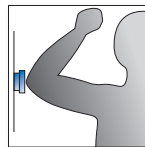
BP 100 H series

Free-standing models

- Manual doors opening and closing
- Automatic door opening, manual door closing
- Fully Automatic door

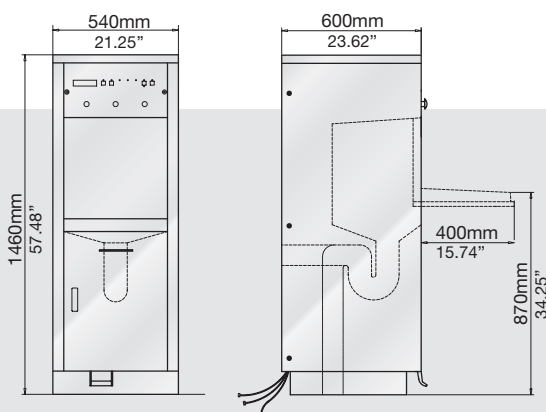
Capacity

Simultaneous treatment of 1 urine bottle and 1 bedpan with lid or up to 4 urine bottles.*



Standard with LCD display and **hygienic safe cycle selection and start** through elbow contact.

Load examples



* Capacity depends on the size and shapes of the items that have to be treated. Combinations of bottles and bedpans are possible, capacity may vary.



BP 100 HXL series

Large capacity bedpan washers disinfectors



60
cm
23.62"

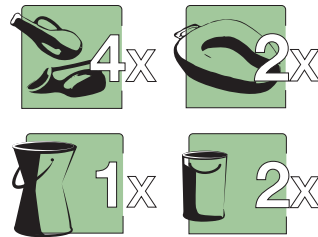
BP 100 HXL

Free-standing model

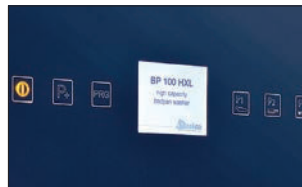
- Manual door opening and closing

Capacity

Simultaneous treatment of 2 bedpans with lids with up to 4 urine bottles. 1 close stool pot or 2 buckets with up to 4 urine bottles.*



Soft touch control

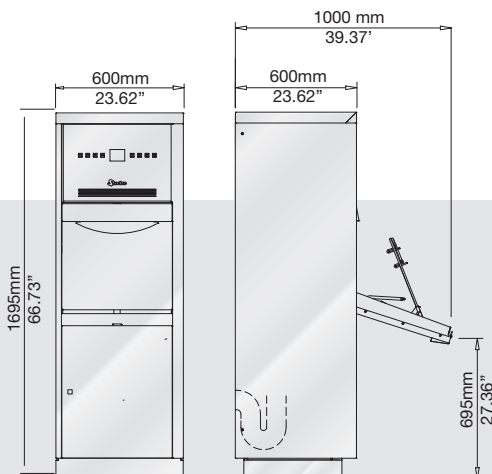


Soft touch control panel (touch function areas with status led) made of a single glass surface for perfect cleaning and disinfection.

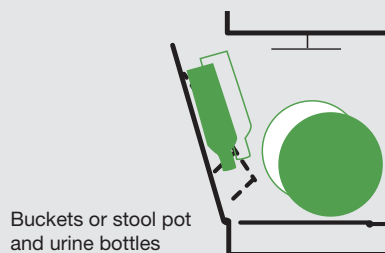
Chemical storage



A chemical tank can be stored inside the lockable cabinet on the machine basement.



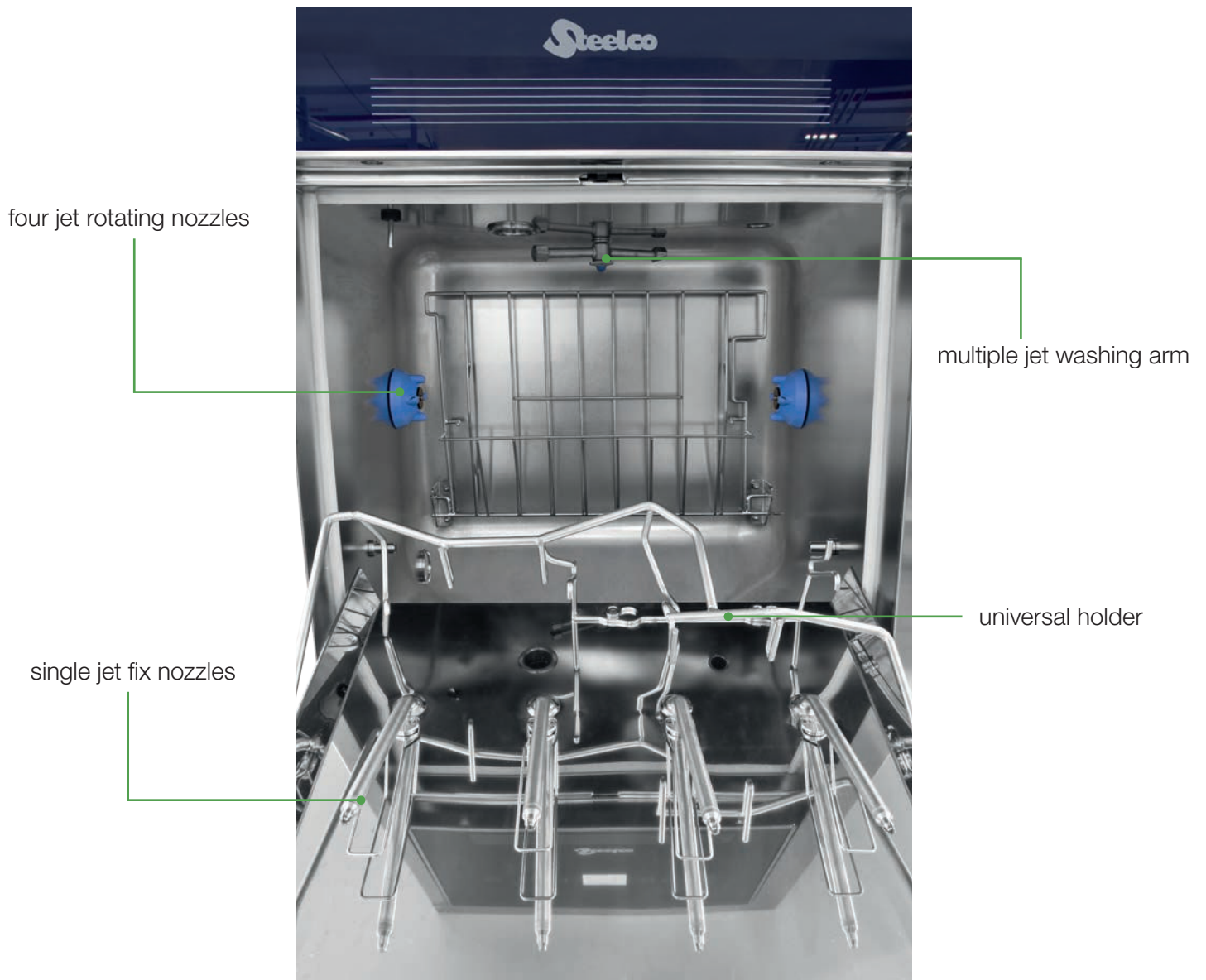
High load flexibility



Buckets or stool pot and urine bottles

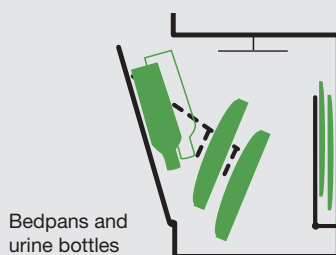


BP 100 HXL - General key features



* Capacity depends on the size and shapes of the items that have to be treated. Combinations of bottles and bedpans are possible, capacity may vary.

Load examples



BP 100 HLA

High visibility full HST glass sliding-up door



60
cm
23.62"

This bed pan washer disinfector, with full HST glass sliding up door, automatically reprocesses any kind of urine bottles, bed pans and suction bottles.

The characteristics of this bed pan washer **improve the working condition, optimize the cleaning results and reduce drastically the risk of contamination.**

An infra-red proximity switch or a foot pedal facilitates the operator to open and close the sliding door automatically **avoiding any physical contact of the staff.**

Capacity

Simultaneous treatment of 2 urine bottles and 1 bedpan with lid or other combinations with suction bottles or buckets.

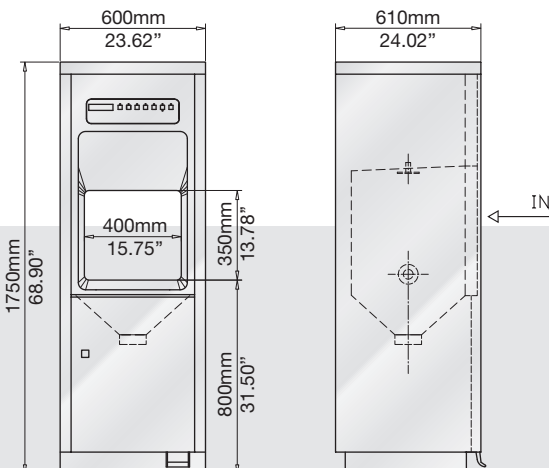


* Capacity depends on the size and shapes of the items that have to be treated. Combinations of bottles and bedpans are possible, capacity may vary.

Rotating holder



The holder/support rotates automatically to empty items only after the door is completely closed and then the machine starts the washing cycle.



Multifunction support

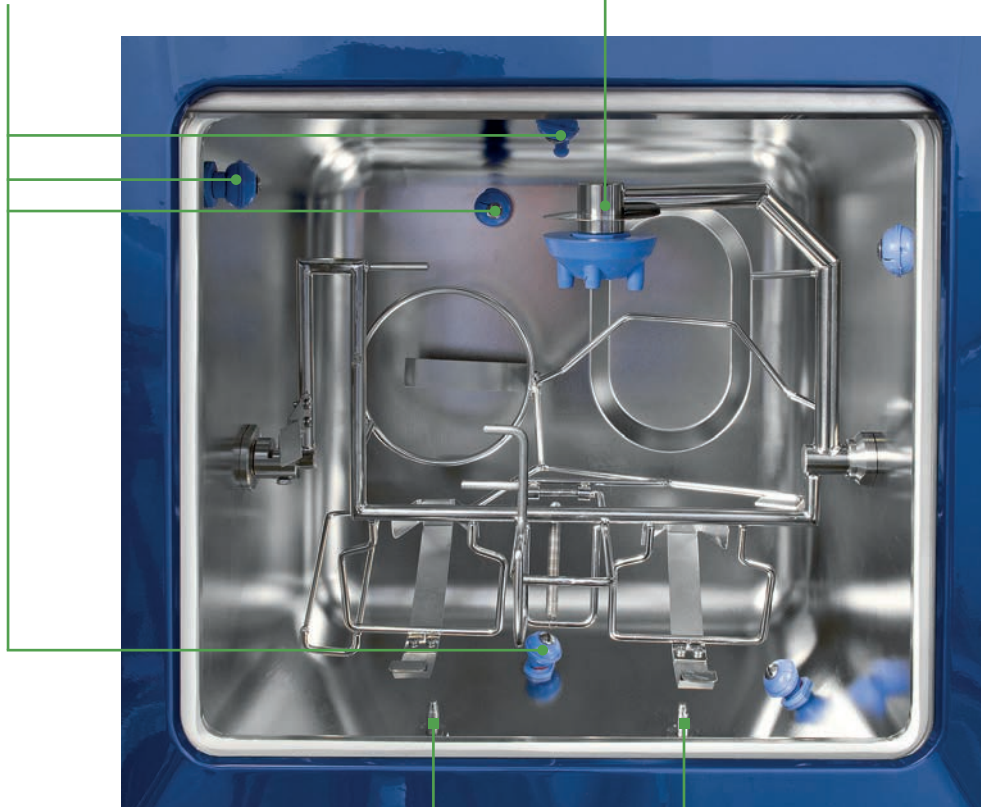
The multifunction holder/support allows combined simultaneous treatment of urine bottles, bed pans, suction bottles and buckets.

A wide range of supports is available following the containers which are most commonly used in the different countries.

BP 100 HLA - General key features

single jet rotating nozzles

four jet rotating nozzles



single jet fix nozzles

The machine is **equipped with a rotating holder to ensure an easy and safe loading avoiding any risk of spillage.**



Load examples





Accessories: item holders

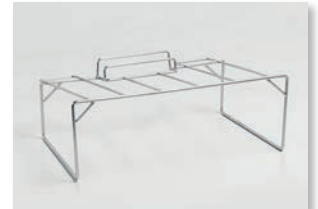
The washer is equipped with a universal holder. This multifunction holder/support allows combined simultaneous treatment of urine bottles, bed pans, suction bottles and buckets.

A wide range of supports is available following the containers which are most commonly used in the different countries. Different racks and holders are available for special needs.

Removable rack on slides.
With this accessory, the washer can be also used for washing and disinfecting small objects.



Removable shelf to be positioned on the bottom of the washing chamber to allow easy washing and disinfection of big size buckets and basins.



Special rotating holder is dedicated to make item loading even easier.



Complements

Steelco can provide a **complete range of accessories as counters with/without sinks, emptiers and wall racks** for bedpans and urine bottles.

Emptiers are available in manual or automatic version providing automatic drain and water sink rinsing.



Bedpan and urine bottle wall racks



Technical information



	BP 100 HSER series	BP 100 HE series	BP 100 series	BP 100 H series	BP 100 HXL series	BP 100 HLA series
Freestanding model Dimension LxDxH mm/inches	450x500x1320 17 3/4 x 19 11/16 x 52	545x475x1630 21 7/16 x 18 11/16 x 64 3/16	600x600x850 23 5/8 x 23 5/8 x 33 7/16	540x600x1460 21 1/4 x 23 5/8 x 57 1/2	600x560x1695 23 5/8 x 22 1/2 x 66 3/4	600x610x1750 23 5/8 x 24 x 68 7/8
Wall installation model Dimension LxDxH mm/inches	505x520x1525 19 7/8 x 20 1/2 x 60 1/16	595x475x1753 23 7/16 x 18 11/16 x 69	-	-	-	-
Versions						
Manual door opening and closing	<input type="checkbox"/>	<input type="checkbox"/>	<input type="checkbox"/>	<input type="checkbox"/>	<input type="checkbox"/>	-
Foot pedal automatic door opening, manual door closing	<input type="checkbox"/>	<input type="checkbox"/>	-	<input type="checkbox"/>	-	-
Foot pedal automatic door opening and closing	<input type="checkbox"/>	<input type="checkbox"/>	<input type="checkbox"/>	<input type="checkbox"/>	-	<input type="checkbox"/>
Control Panel						
LED display control panel	●	●	-	-	-	-
LCD display control panel	○	○	●	●	-	●
Soft touch control panel	-	-	-	○	●	-
Infra-red proximity switch	○	○	-	○	-	○
Rs232 port for printer connection or PC	○	○	○	○	○	○
ST2 integrated printer	-	-	-	-	○	-
USB Port	-	-	-	-	○	○
Chemical dosing						
Chemical dosing pump for limescale remover with level sensor	●	●	●	●	●	●
Detergent dosing pump with level sensor	○	○	○	○	○	○
Lockable storage for chemical canisters	●	●	○ ¹	●	●	●
Drying						
Electrical heated drying and cooling fan system and HEPA H14 filter	○	○	-	○	○	○
Connection						
Connection for external steam supply	○	○	-	○	○	○
Standard electrical connection, <i>others available on request</i>	400V 3~+N 50Hz	400V 3~+N 50Hz	400V 3~+N 50Hz	400V 3~+N 50Hz	400V 3~+N 50Hz	400V 3~+N 50Hz

note: 1) when configured with cabinet complements;

= Model available ● = Standard ○ = Optional - = Not available



Miele Group Member

ARES - flexible endoscope automated reprocessing system



Dental washer disinfectors

Flusher disinfectors

Steam sterilizing autoclaves



Washer disinfectors for central sterile supply departments

Laboratory glassware washer disinfectors



Washing and sterilizing systems for life science and pharmaceutical applications

Headquarters

STEELCO S.p.A.

Via Balegante, 27 - 31039 Riese Pio X (TV) - ITALY
Ph. +39 0423 7561 - Fax +39 0423 755528
info@steelcogroup.com
www.steelcogroup.com

Branches

STEELCO ASIA

Puchong, Malaysia
info-asia@steelcogroup.com

STEELCO CHINA

Shanghai, China
info-cn@steelcogroup.com

STEELCO MEXICO

CDMX, Mexico
info-mx@steelcogroup.com

STEELCO SWITZERLAND

Spreitenbach, Switzerland
info-ch@steelcogroup.com

STEELCO AUSTRIA

Wals-Siezenheim, Austria
info-at@steelcogroup.com

STEELCO FRANCE

Paris, France
info-fr@steelcogroup.com

STEELCO NORDIC

Kgs. Lyngby, Denmark
info-nordic@steelcogroup.com

STEELCO USA

West Palm Beach, USA
info-usa@steelcogroup.com

STEELCO BELGIUM

Mollem, Belgium
info-be@steelcogroup.com

STEELCO GERMANY

Gütersloh, Germany
info-de@steelcogroup.com

STEELCO NORGE

Nesbru, Norway
info-no@steelcogroup.com

STEELCO BENELUX

Vianen, Netherlands
info-benelux@steelcogroup.com

STEELCO HUNGARY

Budapest, Hungary
info-hu@steelcogroup.com

STEELCO SPAIN

Madrid, Spain
info-es@steelcogroup.com



Products offered for sale may differ from those described or illustrated in this brochure due to later production changes or/and optional configurations. The products and technical specifications are subjected to change without prior notice. Please consult your Steelco dealer for the latest information.